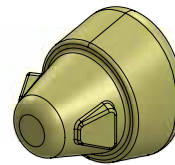
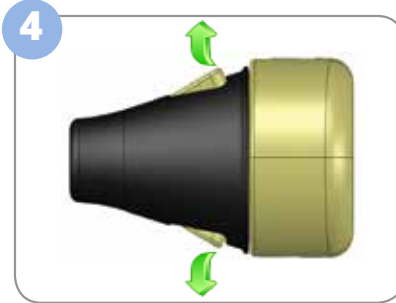
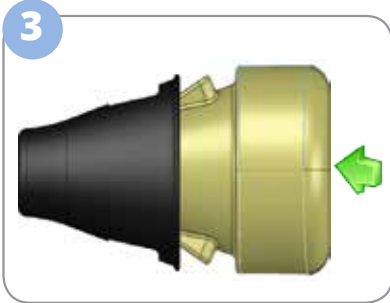
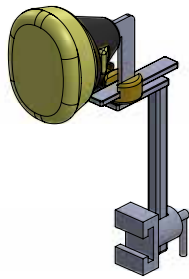
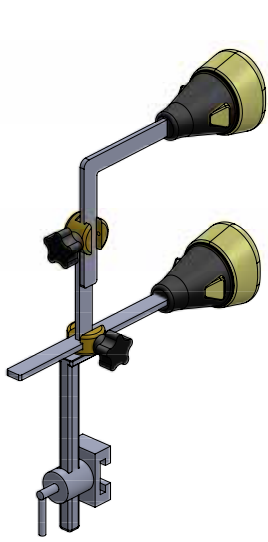


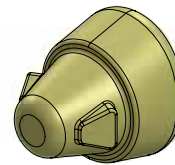
INSTRUCTIONS FOR USE

HIP FIX 2015

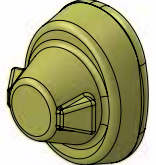
PRE - OP



Front Lower



Front Upper



Back

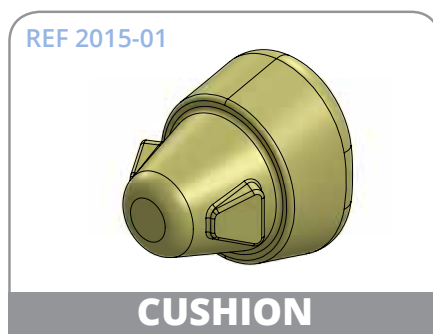
REF 2015-50 3 Support Cushions, Single Use Patient Pack

Holder & Cushion Assembly

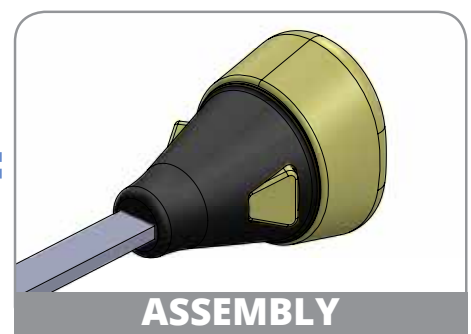
FRONT LOWER SUPPORT



+



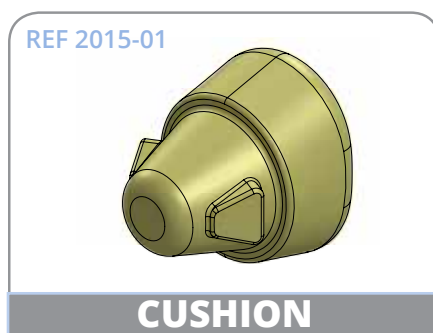
=



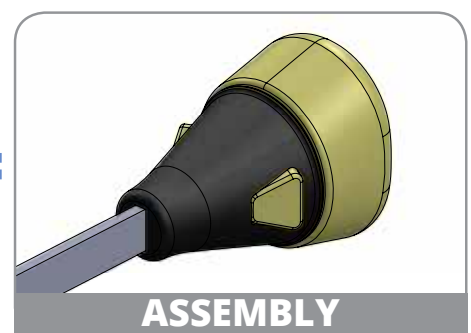
FRONT UPPER SUPPORT



+



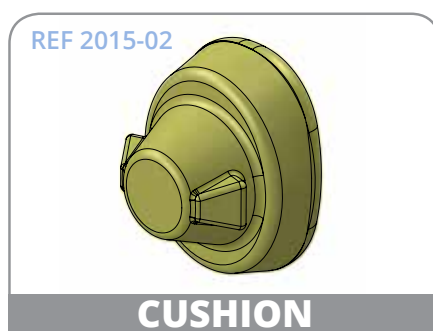
=



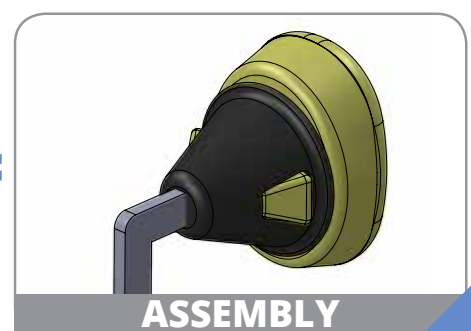
BACK SUPPORT



+

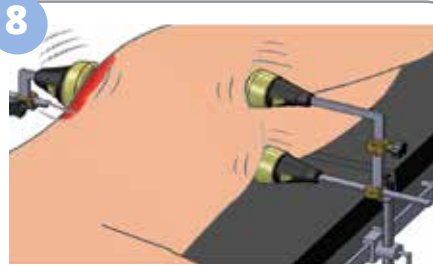


=





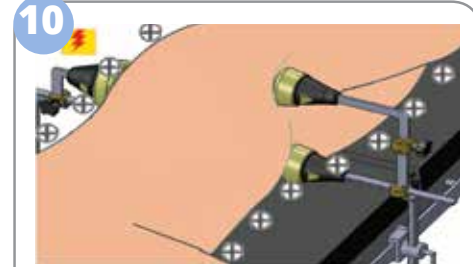
PRE-OPERATION



AVOID FRICTION

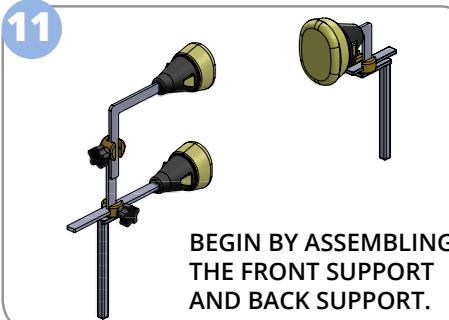


DO NOT APPLY TO DAMAGED SKIN



AVOID CONDITIONS OF ELECTRO DISCHARGE

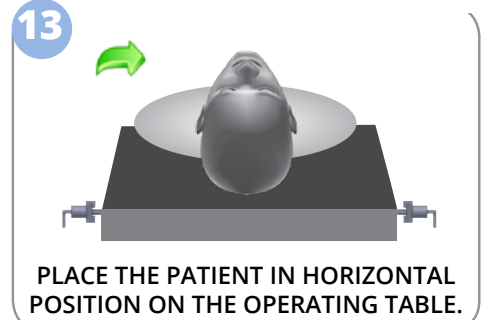
HIP FIX ASSEMBLY



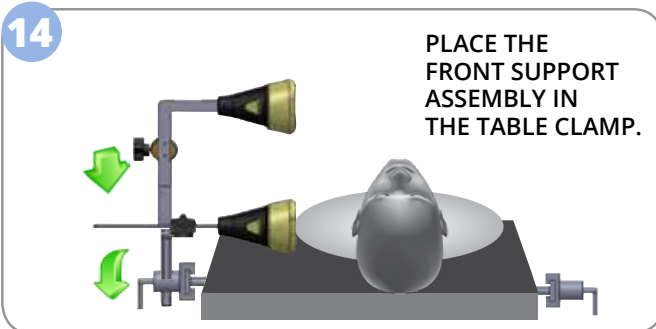
BEGIN BY ASSEMBLING THE FRONT SUPPORT AND BACK SUPPORT.



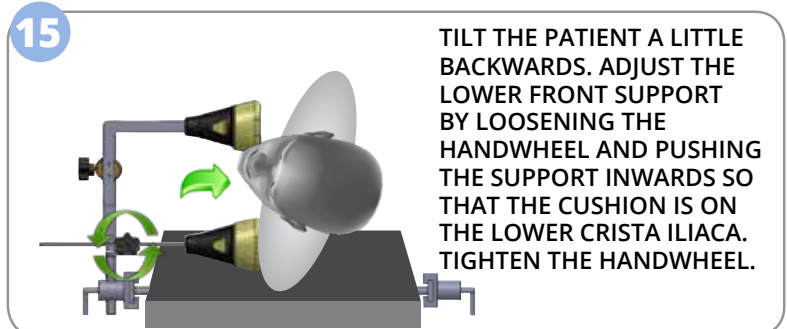
APPLY THE 2 CLAMPS 10-305-P ON EACH SIDE, CENTRALLY.



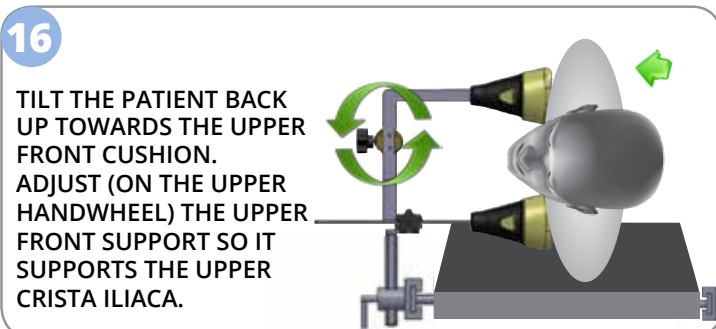
PLACE THE PATIENT IN HORIZONTAL POSITION ON THE OPERATING TABLE.



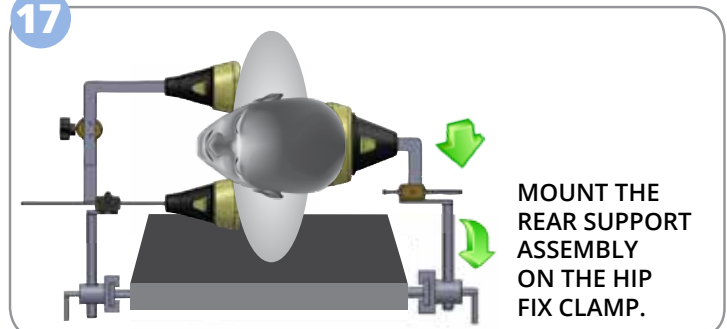
PLACE THE FRONT SUPPORT ASSEMBLY IN THE TABLE CLAMP.



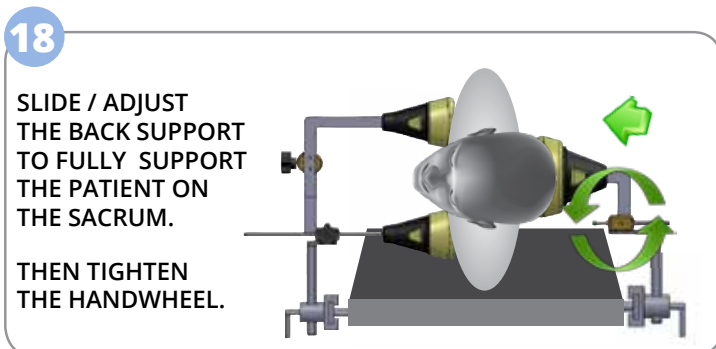
TILT THE PATIENT A LITTLE BACKWARDS. ADJUST THE LOWER FRONT SUPPORT BY LOOSENING THE HANDWHEEL AND PUSHING THE SUPPORT INWARDS SO THAT THE CUSHION IS ON THE LOWER CRISTA ILIACA. TIGHTEN THE HANDWHEEL.



TILT THE PATIENT BACK UP TOWARDS THE UPPER FRONT CUSHION. ADJUST (ON THE UPPER HANDWHEEL) THE UPPER FRONT SUPPORT SO IT SUPPORTS THE UPPER CRISTA ILIACA.

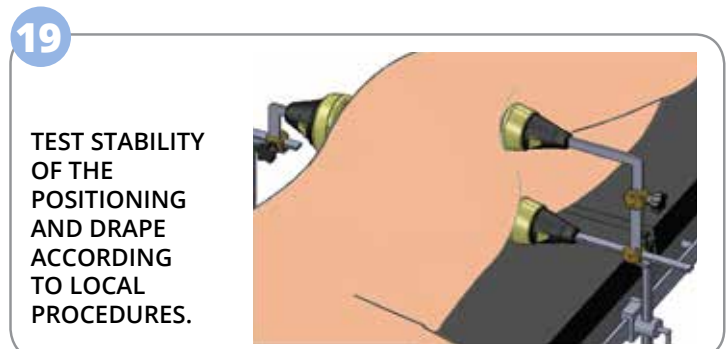


MOUNT THE REAR SUPPORT ASSEMBLY ON THE HIP FIX CLAMP.



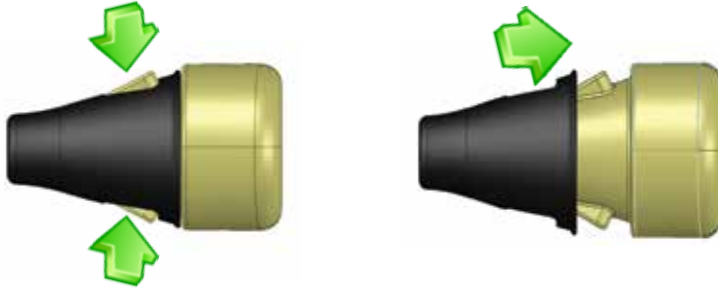
SLIDE / ADJUST THE BACK SUPPORT TO FULLY SUPPORT THE PATIENT ON THE SACRUM.

THEN TIGHTEN THE HANDWHEEL.



TEST STABILITY OF THE POSITIONING AND DRAPE ACCORDING TO LOCAL PROCEDURES.

20



CUSHION DISASSEMBLY
- FOR CLEANING AND
INSPECTION OF HOLDERS

21

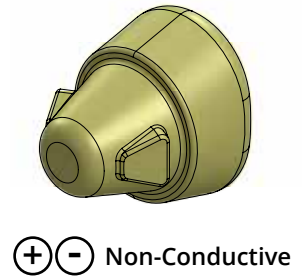


HOSPITAL
EQUIPMENT
CLEANING/
DISINFECTION
PROCEDURE

22

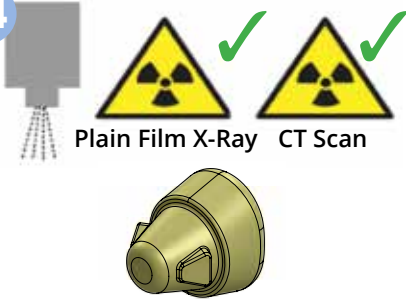


23



⊕ ⊖ Non-Conductive

24



Plain Film X-Ray CT Scan

25

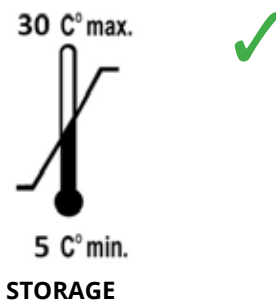


26



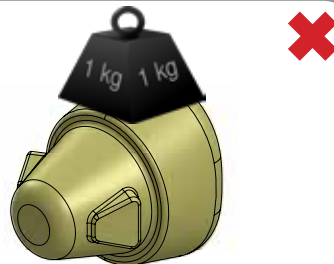
LATEX FREE

27



STORAGE

28



STORAGE

29



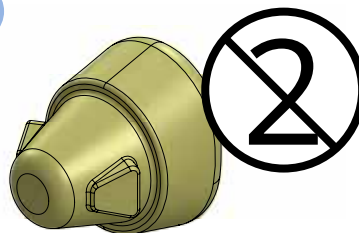
KEEP STOCK OF REF 2015-50

30



KEEP ON FILE

31



SINGLE USE ONLY